





**INNOVATION
EXCELLENCE
QUALITY
GROWTH**



Making offices a better place to work - is our goal. Factors such as furniture, space utilisation, lighting, noise management, temperature control and transparency influence the productivity of the employees

At **Mecwill** DESIGN IS THE KEY !!



IN HOUSE CREATIVE
DESIGN TEAM



IN HOUSE TEAM OF
INTERIOR DESIGNERS



MADE TO MEASURE
DESIGN ORDERS



3D & 2D TECH. DESIGN
AND SOFTWARES



EXPRESS DESIGN
APPROVAL SERVICE



CONTEMPORARY
DESIGNS



MANY READY DESIGNS
TO ORDER & SHIP FROM



SITE MEASUREMENT
TEAM & SUPERVISORS



HIGH PRECISION
CALCULATIONS













Smart, Intelligent, Versatile Yet Scalable, **Mecwill** Furniture
is Nicely Designed to Create Collaborative Spaces
for Large Shared Work Environments as well as small offices

Compliance and Certifications



What Makes Us Efficient ?

We understand that furnishing your office is more than just buying furniture. It's about creating an efficient workspace that reflects your company's values and goals. That's why we pride ourselves on being reliable and committed to providing further innovations in office furniture.

 <p>Organisation Structure We ensure continuous upgrading knowledge learning skills of our team.</p>	 <p>Manufacturing Setup Inhouse manufacturing setup for all types of designer furniture and modern soft furnishing.</p>	 <p>Production Capabilities We have made theme based customised design and furniture in 3.5 Lakh sq. ft. commercial space.</p>
 <p>Pan-India Presence We deliver our products all across India.</p>	 <p>Customisation Capability Designer and execution as per Customer's needs.</p>	 <p>Environmentally Green Manufacturing practices.</p>
 <p>Vocal for Local An initiative under the Aatma Nirbhar Bharat Abhiyan. The world is looking at India as a manufacturing powerhouse.</p>	 <p>Make in India Proud to manufacture all solutions in India.</p>	 <p>Finance Available Secure Payments and EMI options available to suit your needs.</p>
 <p>Fully Insured All Works and Employees are covered by our Comprehensive Company Insurance.</p>	 <p>Competitive Pricing We have wide selection of ranges available to suit every budget.</p>	 <p>Gurantee/Warranty All products comes with a manufacturer's Gurantee/Warranty from 1 to 10 years.</p>

17 | YEARS
ANNIVERSARY
CELEBRATION

Who Are we?

Meet the Mecwill India Team : A Symphony of Talent

Our team comprises a diverse ensemble of skilled artisans, innovative designers, and client-centric professionals. Each member brings unique expertise and passion of excellence, contributing to the extraordinary tapestry that is Mecwill India. We believe that our people are our most valuable asset, and their collective spirit fuels our success.

Our approach blends the art of design with the science of ergonomics, resulting in remarkable office spaces that are as comfortable as they are captivating. We begin with a thorough understanding of our client's needs, followed by a meticulous design process that focuses on aesthetics, functionality and as well-being. Our manufacturing facilities use cutting-edge technology and sustainable materials, ensuring that our products stand the test of time.

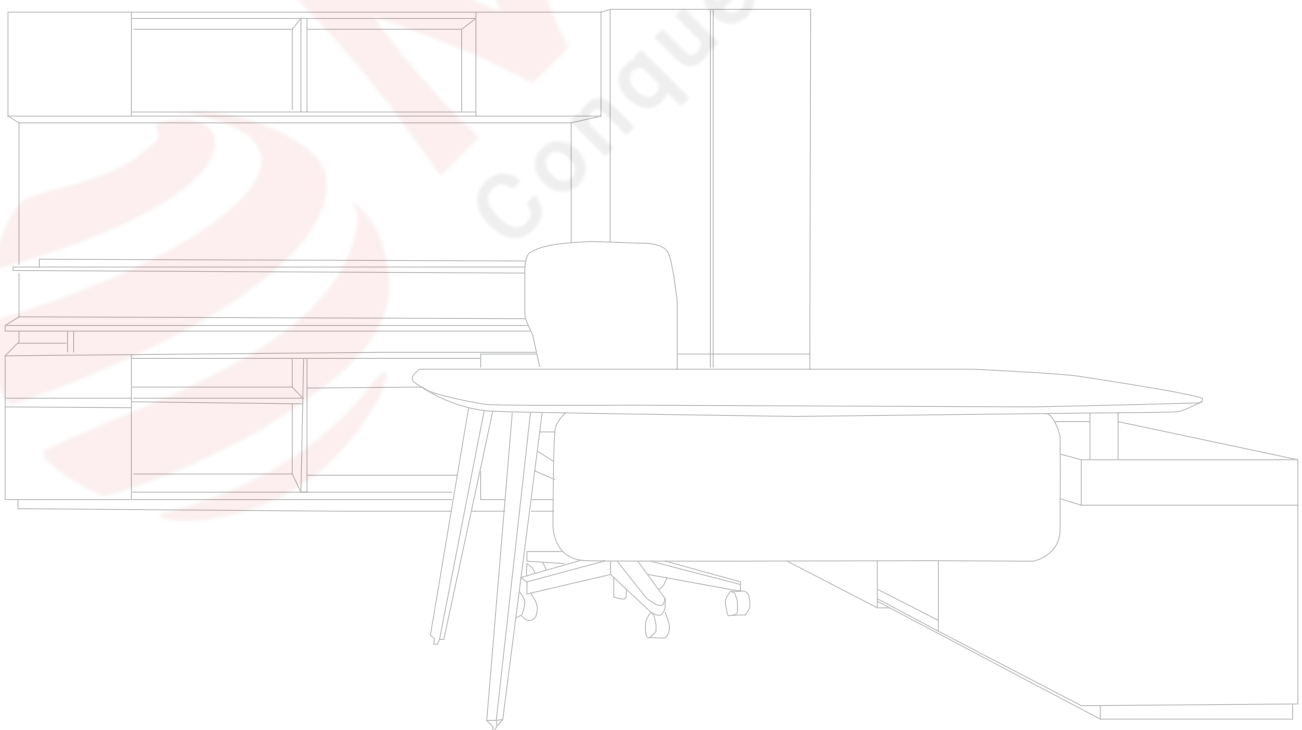
Office table that provide **better working environments** for better work.

A perfect option for workplace spaces is provided by the office table, a modular furniture system. Office tables Manufacturers are available in an array of sizes, shapes, patterns, and compositions. These tables come in metal, plastic, or wood finishes. A few of these could be composed of one substance and coated with another. There is an endless supply of alternatives. Mecwill provides a wide range of office tables Suppliers and study desks to suit different needs and preferences. You can work more productively, more efficiently, and more comfortably at your workstation desk or office table in india when you have the right one. It also establishes the general tone of your room. Your office space worth is increased with a well-designed office table.

Office table series

The right choice for exceptional workspaces





We realize that our customers are good decision makers and understand their office needs very well. For that reason, we leave the rest of our system furniture specifications OPTIONAL so that you can tailor every detail of the furniture to satisfy your personal needs.





Code : **M-ET 1101**
Color Range :

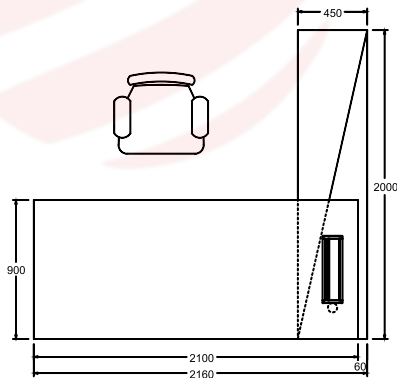


- 
1002
Mangfall Beech
- 
10175
Asian Mapple
- 
10091
Nova Teak
- 
11005
Neo Highland Pine

Code : **M-ET 1102**
Color Range :

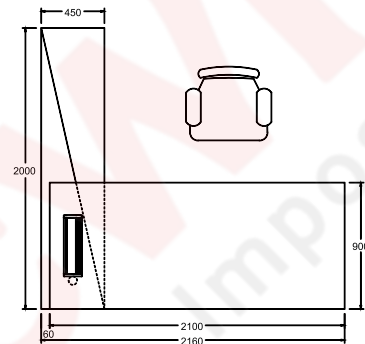
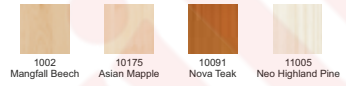


- 
1002
Mangfall Beech
- 
10175
Asian Mapple
- 
10091
Nova Teak
- 
11005
Neo Highland Pine

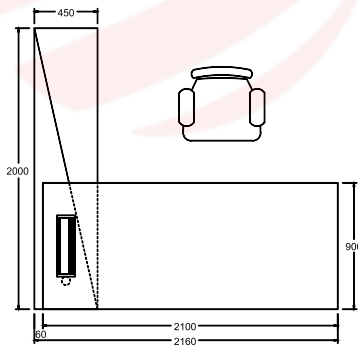




Code : **M-ET 1103**
Color Range :



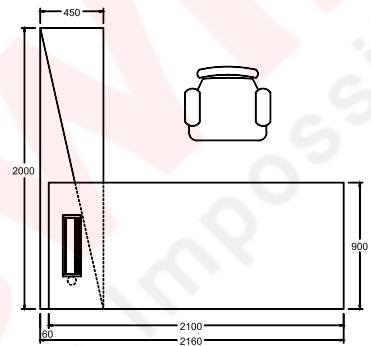
Code : **M-ET 1104**
Color Range :





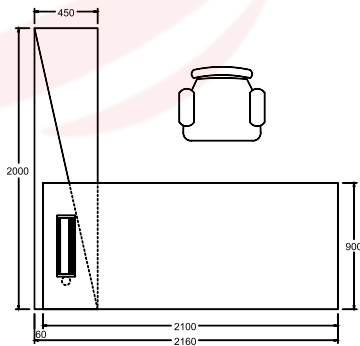
Code : **M-ET 1105**

Color Range :



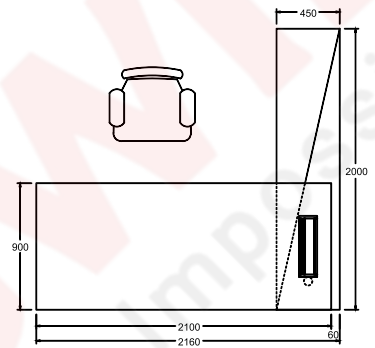
Code : **M-ET 1106**

Color Range :

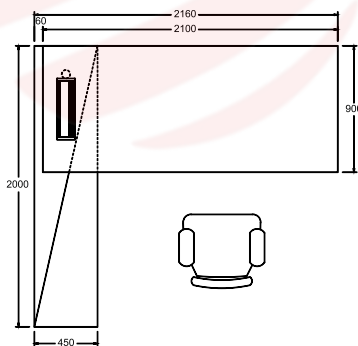




Code : **M-ET 1107**
Color Range :

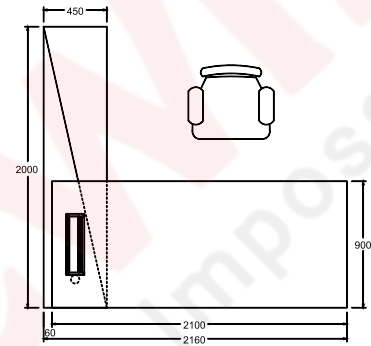


Code : **M-ET 1108**
Color Range :

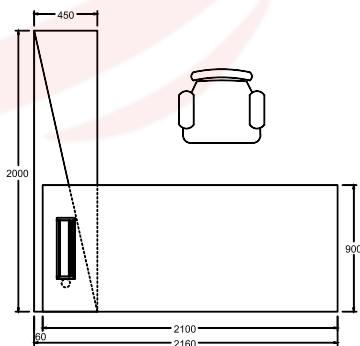
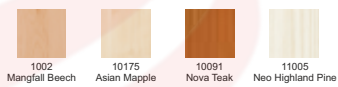




Code : **M-ET 1109**
Color Range :

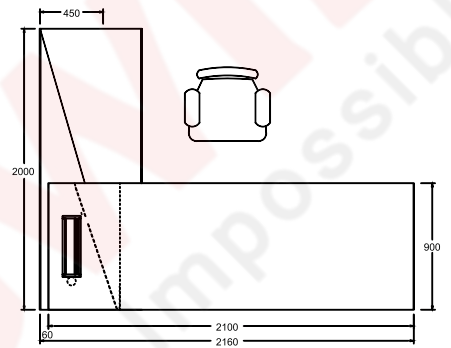


Code : **M-ET 1110**
Color Range :

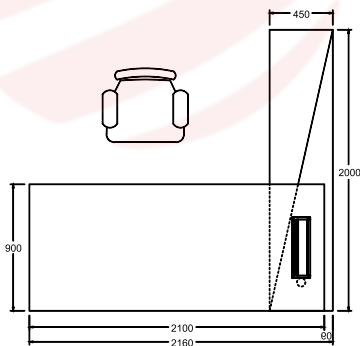




Code : **M-ET 1111**
Color Range :

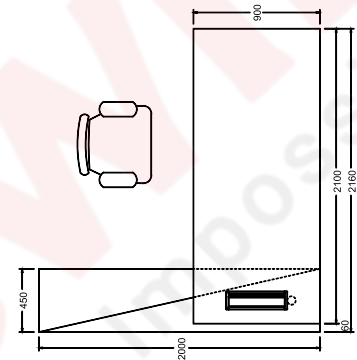


Code : **M-ET 1112**
Color Range :

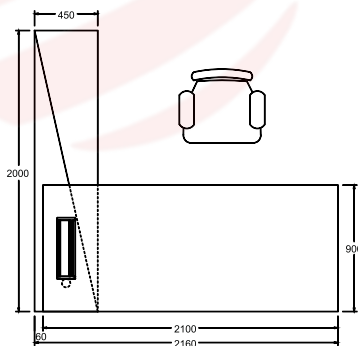




Code : **M-ET 1113**
Color Range :

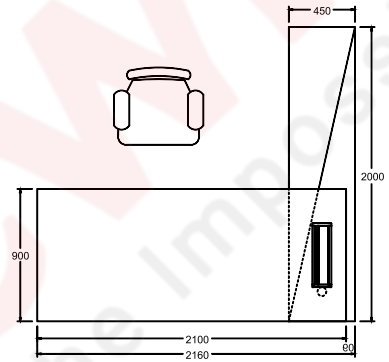


Code : **M-ET 1114**
Color Range :

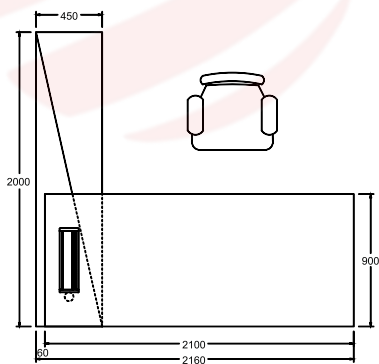




Code : **M-ET 1115**
Color Range :

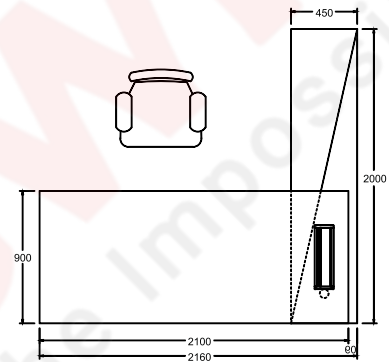


Code : **M-ET 1116**
Color Range :

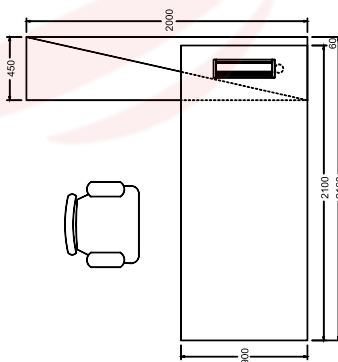




Code : **M-ET 1117**
Color Range :



Code : **M-ET 1118**
Color Range :





Code : **M-ET 1119**
Color Range :



1002
Mangfall Beech



10175
Asian Mapple



10091
Nova Teak



11005
Neo Highland Pine



Code : **M-ET 1120**
Color Range :



1002
Mangfall Beech



10175
Asian Mapple



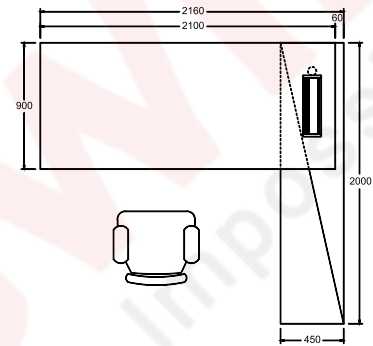
10091
Nova Teak



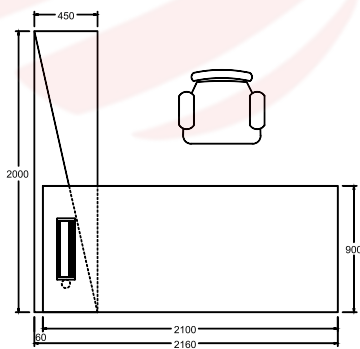
11005
Neo Highland Pine



Code : **M-CT 1121**
Color Range :

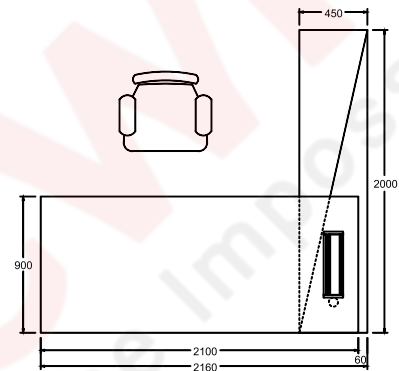
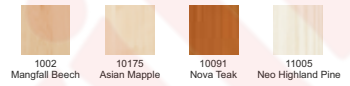


Code : **M-CT 1122**
Color Range :

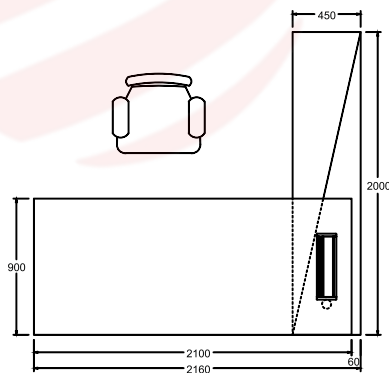




Code : **M-CT 1123**
Color Range :

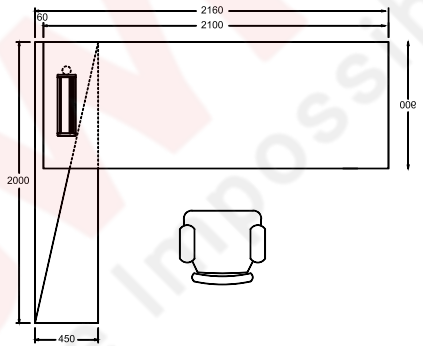


Code : **M-CT 1124**
Color Range :

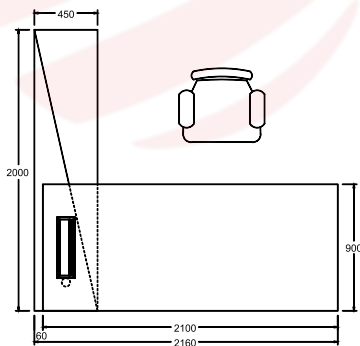




Code : **M-CT 1125**
Color Range :

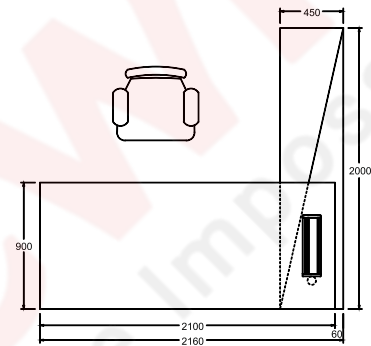


Code : **M-CT 1126**
Color Range :

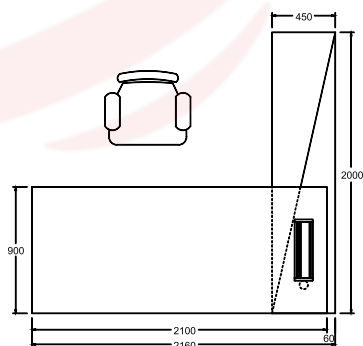




Code : **M-CT 1127**
Color Range :

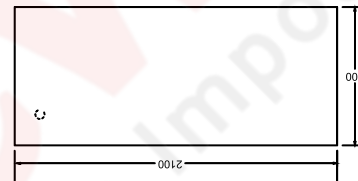
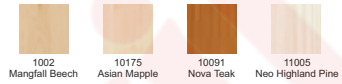


Code : **M-CT 1128**
Color Range :

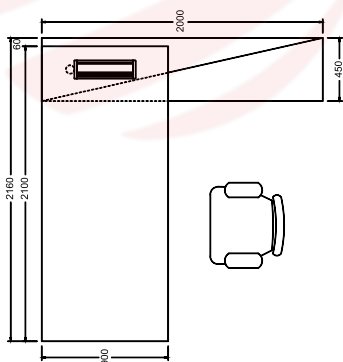
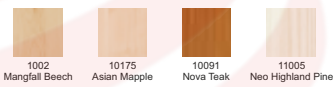




Code : **M-CT 1129**
Color Range :

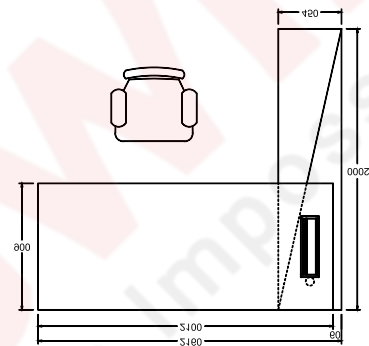


Code : **M-CT 1130**
Color Range :

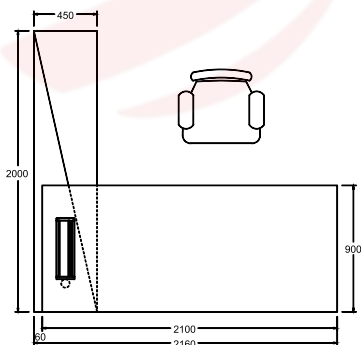




Code : **M-CT 1131**
Color Range :

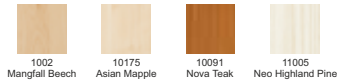


Code : **M-CT 1132**
Color Range :

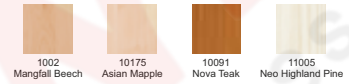




Code : **M-CT 1133**
Color Range :



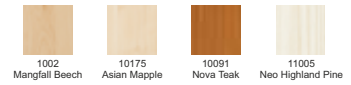
Code : **M-CT 1134**
Color Range :



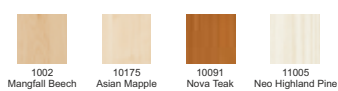
Code : **M-CT 1135**
Color Range :



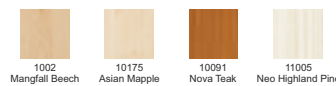
Code : **M-CT 1136**
Color Range :



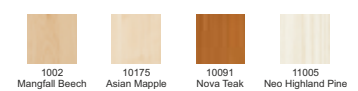
Code : **M-CT 1137**
Color Range :

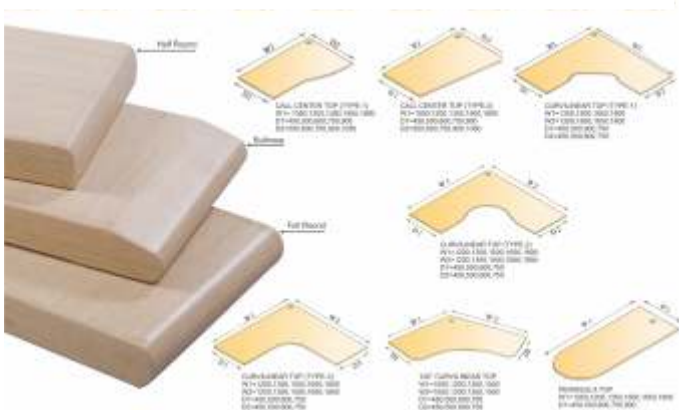


Code : **M-CT 1138**
Color Range :

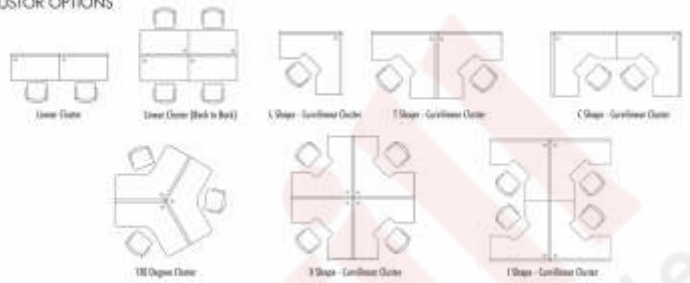


Code : **M-CT 1139**
Color Range :

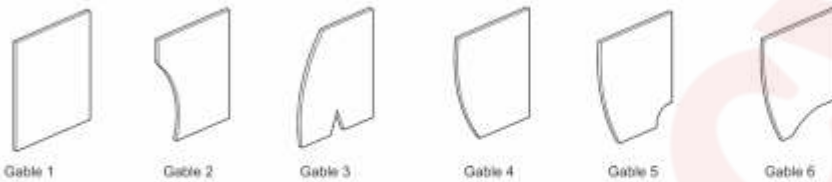




CLUSTER OPTIONS



GABLE OPTIONS



Design & Specifications are subject to change without prior notice.

All sizes mentioned are in MM.

Accessories & props (Chair etc.) shown in the pictures are not part of product.

Accessories



Flaper



Metal keyboard tray



Flip box



1



2

Desktop Socket



Laminated keyboard tray



Metal CPU Trolley



Wire manager cap



Round pole leg



I leg



Vertebrae -1



Reducing leg



10002 Mangfall Beech 10175 Asian Mapple 11005 Neo Highland Pine 10091 Nova Teak 22091 Arctic White 21059 Platinum



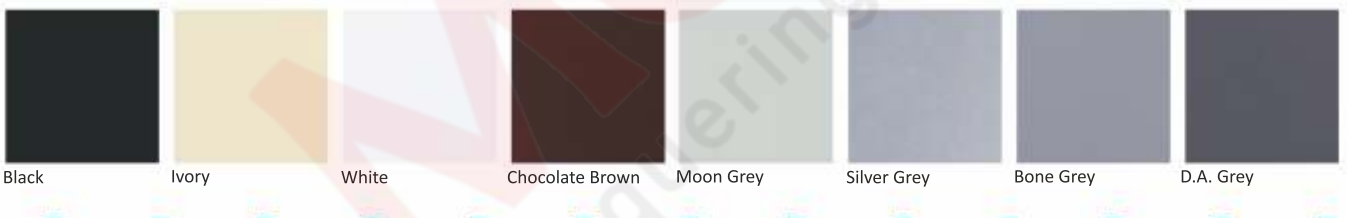
10858 Wenge 10012 Oxford Cherry 10699 Mahogany 22099 Slate 10145 Red Oxford Cherry 10007 Douglas Pine



10036 White Beech 11192 Neo Bavarian Beech 10544 Canadian Walnut 10031 Fine Oak 10848 Straight Walnut DX 10019 Sapelle

*(For DX shade rate will be charged extra.)

Powder Coats



Black Ivory White Chocolate Brown Moon Grey Silver Grey Bone Grey D.A. Grey

Fabrics



Med Blue (F191) Acorn (F 128) Caramel (F 132) China Sea (MS 407) Roman Green (MS 440) Lavender (MS 416) Dago Orange (F 181) Spearment (F 102)



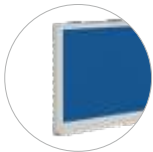
Flame (F 123) Attenzione (MS 419) Fresco (MS 420) Cinnamon (MS 422) Cream Blue (NE 801) Cement Yellow (NE 817) Beige Pacific Blue (NE 803) Salmom (MS 425)



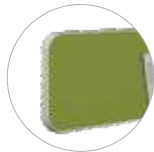
Reflection (MS 438) Vesuvius (MS 410) Gold Blue (NE 821) Wine Blue (NE 822) Blue (NE 824) Granada (MS 452) Mink (MS 449) Dark Forest (MS 437)

The secret of Mecwill's customisation possibilities is the innovatively design under structure and its capability of separating, handling and managing large number of electrical and data cables, making wire management simple and trouble-free.

Privacy Screens



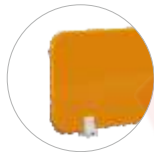
28mm thick with frame:
Fabric / Laminate /
Marker / Magnetic /
Soft Pinup



25/33mm thick with
aluminium trim:
Fabric / Laminate /
Magnetic / Soft Pinup



18mm thick with gasket:
Fabric / Magnetic



8mm thick:
Sandwich Glass



Table Tops

Finshes

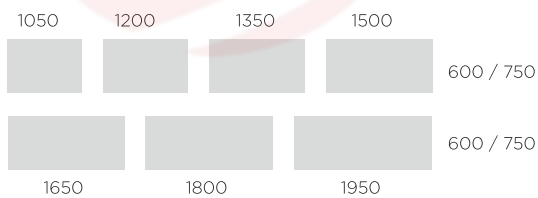
Pre / Post laminate:
Straight edge; 25mm thick

Membrane Top:
Chamfered edge; 25mm thick

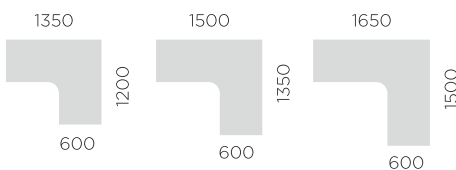
Postform Edge Profile:
Round-27mm thick, Waterfall-25mm thick

Dimensions

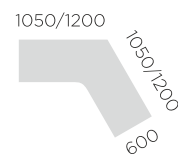
Linear



Curvi-Linear



120°



All dimensions in mm



Hock: CRCA pipe 50x60



Fusion: 45 extruded aluminium dual colour



Splayed: CRCA square pipe 40x40



Heel: CRCA 50x60

Access Flap



300/450 X 120



Tubular: CRCA Pipe, 50 diameter, 40 horizontal square pipe



Loop: CRCA Triangular Pipe 40X40X57



Linear: CRCA Square pipe 50 vertical, 40 horizontal pipe

Cabin Table Configurations

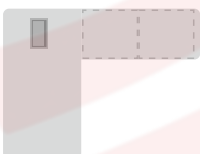
Table Tops



W 1500 / 1650 / 1800 / 1950 / 2100
D 750 / 900

W 1800 / 1950 / 2100
D 1050

Side Storages



W 900 / 1050 / 1200
D 450

Back Storages



W 1050 / 1200 / 1350 / 1500 / 1650 / 1800
D 450

Storage Configurations



2 shutter storage



2 shutter storage
2 book drawer



3 shutter storage



2 shutter storage
2 book drawer
1 file drawer



2 shutter storage
4 book drawer
2 file drawer



2 shutter storage
2 open shelf

Meeting Tables

Conference Tables



L: 3000, 3750, 4500, 5400,
6000, 6750
W: 1200, 1500

Discussion Tables



L: 1500, 1800, 2400
W: 1200, 1500



ø 750, 900, 1050,
1200, 1350, 1500

Pedestals



Metal 1 box + 1 file
392W x 450D x 550H



1 box + 1 file
with fabric cushion
392W x 450D x 610H



2 box + 1 file
392W x 450D x 680H

Pre-lam 1 box + 1 file
406W x 459D x 550H

1 box + 1 file
with fabric cushion
406W x 459D x 610H

2 box + 1 file
406W x 459D x 680H

Trust **Mecwill** Office Furniture
to experience comfort like never Before...

Manufactured & Marketed by:

ZIFFMEC INDIA PRIVATE LIMITED

📍 C-127, Block C, Sector-10, Noida (U.P.)

☎ +91-120-3265651

🌐 www.mecwill.com

For feedback or queries write email us at:

✉ sales@mecwill.com | service@mecwill.com
info@mecwill.com | reachus@mecwill.com



Sales Support : +91-9717090474

Service Care : +91-9717090498



Associate Franchise Partner